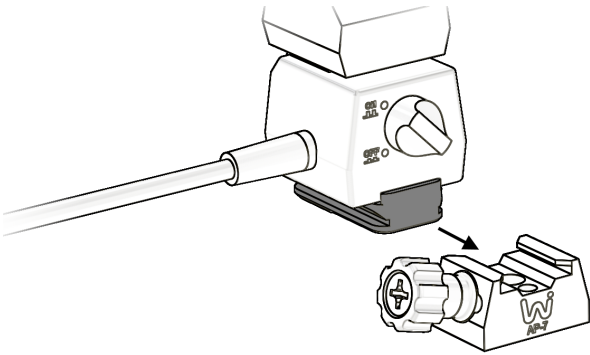


About the FA-11

The **FA-11 Flash Adapter** allows you to use the **Nikon SC-29 Off-Camera Flash Cord** with the following components in the Wimberley Modular Flash Bracket System:

It will also allow you to use the Nikon SC-29 flash cord with a variety of Really Right Stuff, Jobu, and Kirk Enterprises flash brackets.

Quick-release rails are compatible with the Wimberley AP-7 Universal Cold shoe adapter and other locking type Cold Shoes.



Instructions

Connecting the FA-11 to a Flash Bracket:

(The figure below shows the connection between FA-11 and M-3 Tilt Arm module .)

1. Use the enclosed screw and hex key to attach the FA-11 to the threaded hole in the bottom of the Nikon SC-29 flash cord (Figure 1).
2. Attach your flash bracket to the threaded hole in the bottom of the FA-11 (Figure 2).

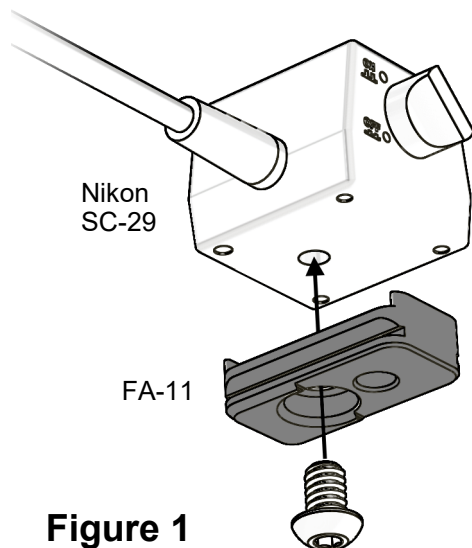


Figure 1

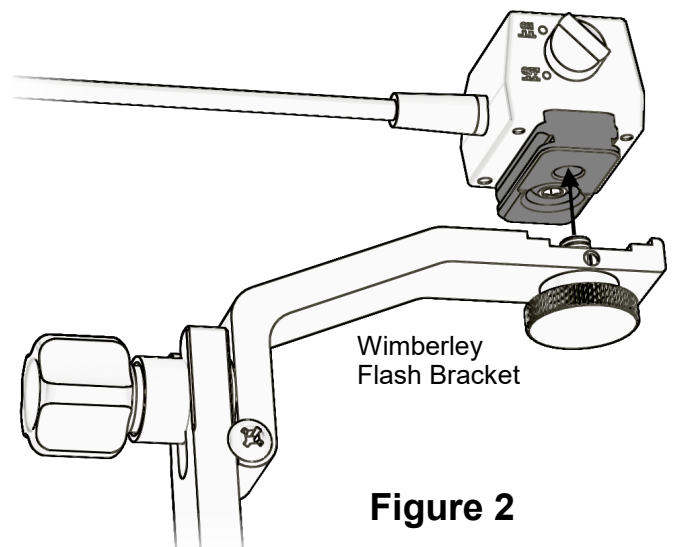
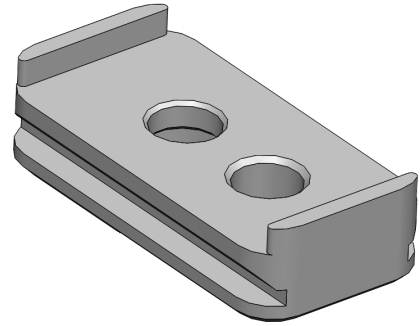


Figure 2

Wimberley

FA-11 Flash Adapter for Nikon SC-29 Cord



Weight: 0.4 oz

Dimensions (Overall L x W x H): 1.5 x 0.73 x 0.27 in

Materials: Anodized 6061 Aluminum, stainless steel

Package Contents:

- **Adapter Plate:** FA-11 Flash Cord Adapter (Qty 1)
- **Mounting Screw:** 1/4"-20 x 3/8" Button Cap (Qty 1)
- **Hex Key:** 5/32" (Qty 1)

Made in USA 

Wimberley, Inc.
1750 Broadway St
Charlottesville, VA
22902 USA

Phone: 1-434-529-8385

Toll Free: 1-888-665-2746 (USA & Canada)

www.tripodhead.com info@tripodhead.com

Thank you for your interest in Wimberley products. If you have any questions or comments please feel free to contact us.