

About the C-10

The C-10 Standard Quick-Release Clamp uses the Arca-Swiss geometry. It is compatible with Arca-Swiss style quick-release plates, such as those made by Wimberley, Really Right Stuff, Kirk Enterprises, Arca-Swiss and Markins. It is not compatible with Bogen, Manfrotto or Gitzo quick-release plates.

The C-10 clamp is 2.5" long. It has a central 3/8" threaded hole that can be used to fasten it to a tripod, monopod, or any piece of equipment requiring a quick-release clamp, such as a ball head, that has a compatible 3/8" mounting stud. The C-10 clamp comes with a 3/8" to 1/4" brass reducer bushing that you can use if your application requires a 1/4" threaded hole instead of a 3/8" hole.

The three smaller 1/4" threaded holes can be used to keep the clamp from twisting by using multiple fasteners or set screws (Figure 1). One set screw and its appropriate

Installation Instructions

To mount the C-10 Clamp, simply screw the clamp to any tripod head or other piece of equipment that has a 3/8" mounting stud and screw it down very tightly. **Before you screw down the clamp, make sure that the set screw located in Hole 1 (see Figure 1 below) is not protruding beyond the bottom mounting surface of the clamp.**

NOTE: The brass reducer bushing (part #BS-100) in the center hole of the clamp allows you to mount the clamp to a 1/4" stud. *Remove the bushing with a flathead screwdriver to use the clamp with a 3/8" stud.*

After you have fastened the clamp to the desired piece of equipment, **tighten the set screw located in Hole 1 using the enclosed hex key to prevent the clamp from rotating.** We recommend tightening the set screw so tightly that it lifts the C-10 off the top of the ball about .006" (more than the thickness of one Post-it and less than the thickness of two).

The 1/4" threaded Holes 2 and 3 can also accommodate set screws, and can be used in other ways when fastening the clamps to various surfaces. To ensure a more permanent attachment, use an epoxy or thread-locking liquid (aka Loctite – *blue* if you might want to remove it in the future, *red* if you do not plan to remove it).

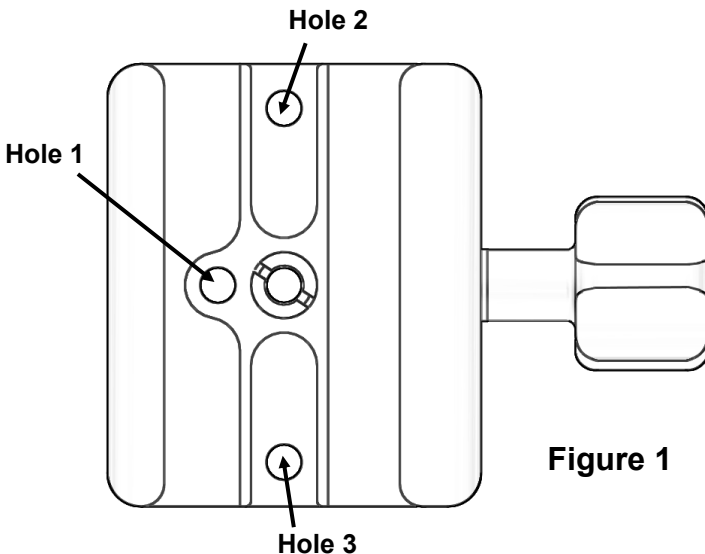
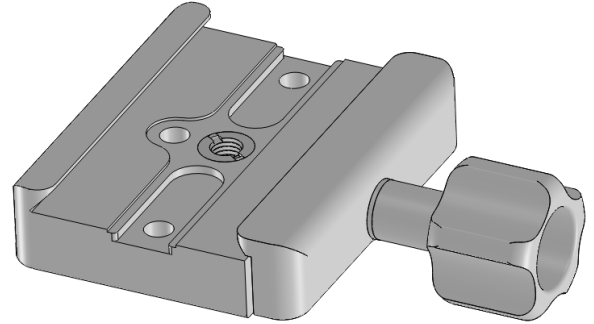


Figure 1

Wimberley

C-10 Quick-Release Clamp



Weight: 4.7 oz

Dimensions (Overall L x W x H): 3.3 x 2.5 x 0.97 in

Materials: Anodized 6061 aluminum, stainless steel

Package Contents:

- **Quick-release Clamp:** C-10 (Qty 1)
- **Bushing:** BS-100 Brass Reducer Bushing (Qty 1)
- **Set Screw:** 1/4-20 x 3/8" cup point (Qty 1)
- **Hex Key:** 1/8" (Qty 1)

Made in USA 

Wimberley, Inc.

1750 Broadway St
Charlottesville, VA
22902 USA

Phone: 1-434-529-8385

Toll Free: 1-888-665-2746 (USA & Canada)

www.tripodhead.com info@tripodhead.com

5 Year Warranty – See www.tripodhead.com/warranty.cfm for complete details

Special note for Bogen / Gitzo / Manfrotto ball head owners

This standard clamp cannot be installed on most Gitzo and Bogen/Manfrotto ball heads.

Special mounting hardware and/or C-10 modifications are required for installation of our clamp on the following ball heads:

Arca-Swiss B1 & Z1, Gitzo 1377M & 1277M, Bogen 468 & 469, and Manfrotto 468MG (hydrostatic).

We sell C-10 kits for direct installation on these models only. Other Gitzo and Bogen/Manfrotto ball heads are not compatible with our quick-release system.

Please contact us if you have one of the ball heads listed above, and we will assist you in getting the correct installation kit you need.

Instructions continued on back >>

Additional Features:

Captive Knob

There is a captive screw in the end of the threaded stud of the clamp knob (Fig. 2). This screw keeps the knob and internal workings of the clamp captive, which means that the knob should not unscrew entirely and come apart unexpectedly. You should not need to back the knob all the way off the clamp stud.

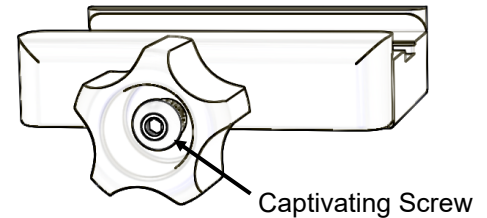


Figure 2

Note: For added protection during transport, we recommend closing the clamp all the way to prevent damage to the knob stud.

Tongue and Groove design

The clamp has a unique hidden tongue and groove design that protects internal parts from dust and grit (Fig. 3).

The tongues are nearly twice as long as those on other Arca-Swiss style clamps. This added length counteracts the tendency for the moving jaw of the clamp to tip backwards during clamping, thus keeping the jaws aligned with the geometry of the plate. This also eliminates unwanted bending stresses on the stud on which the knob rides.

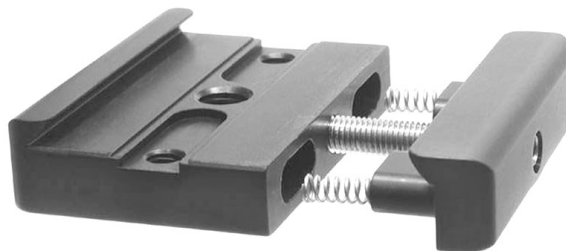


Figure 3

Safety Stop Channels

Two shallow, finger-shaped channels have been machined into the face of the clamp from the ends, stopping just short of the central 3/8" tapped hole (see Fig. 4). These channels allow greater forward-backward adjustment when using the optional safety-stop screws on Wimberley plates or on other compatible quick-release lens plates that include this safety feature.

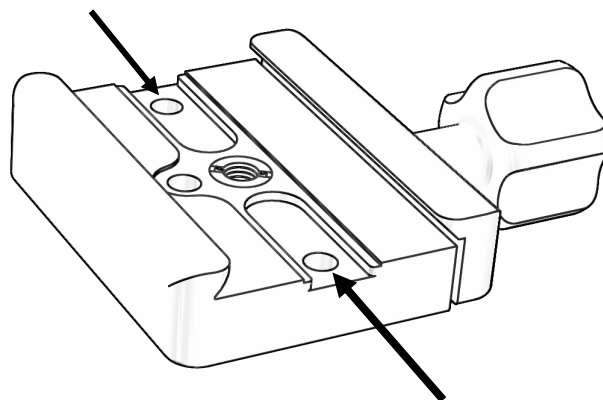


Figure 4

Thank you for your interest in Wimberley products. If you have any questions or comments please feel free to contact us.