

## About This Product

The CK-100 kit allows you to replace the swing arm and platform of the Wimberley Head Version II (WH-200) with a side-mounted Wimberley quick-release clamp. It converts your full gimbal WH-200 to a Sidemount Wimberley Head, which is advantageous when weight and bulk need to be reduced.

The Head can easily be converted back to the full gimbal when desired by reversing the steps.

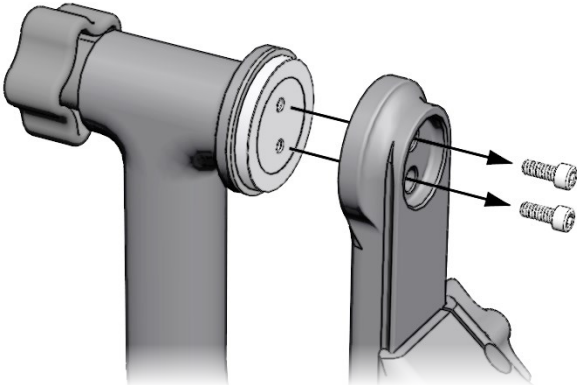
The procedure is simple and the only tool required is a 5/32 hex key (enclosed).

Please make sure that you remove the appropriate parts from your existing Head and install the new parts properly.

## Instructions

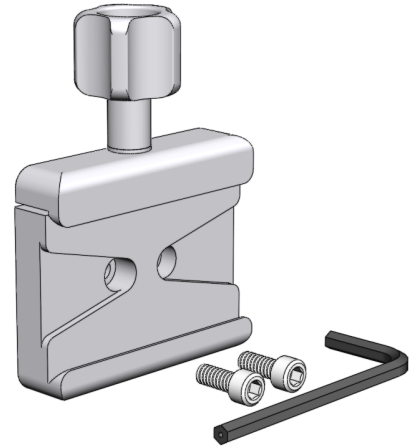
### Removing the Arm and Platform

Remove the two screws that attach the swing arm to the Wimberley Head (see picture below). Once these are removed, the arm comes off easily.



# Wimberley

## CK-100 Sidemount Conversion Kit



**Weight:** 0.31 lbs

**Dimensions (L x W x H):** 3.4" x 2.5" x .81"

### Package Contents:

- **Quick-release Clamp:** for Wimberley Sidemount (Qty 1)
- **Screws:** 10-24 X 1/2" Socket Cap screws with patch (Qty 2)
- **Instruction Sheet:** Sidemount Wimberley Head (Qty 1)
- **Hex Key:** 5/32 (Qty 1)

Made in USA 

**Wimberley, Inc.**

1750 Broadway St  
Charlottesville, VA  
22902 USA

**Phone:** 1-434-529-8385

**Toll Free:** 1-888-665-2746 (USA & Canada)

[www.tripodhead.com](http://www.tripodhead.com)

[info@tripodhead.com](mailto:info@tripodhead.com)

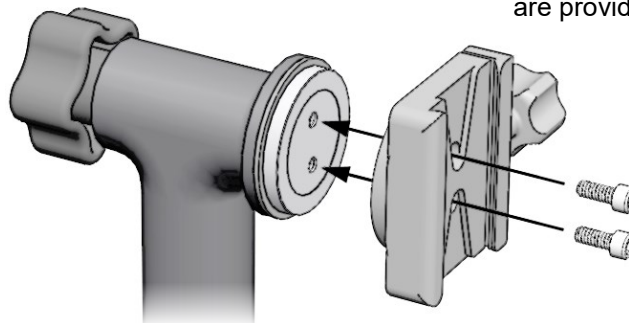
10 Year Warranty – See [www.tripodhead.com/warranty.cfm](http://www.tripodhead.com/warranty.cfm) for complete details

### Attaching the CK-100

Using the included hex key, attach the CK-100 quick-release clamp to the upright of your Wimberley Head Version II using the screws that you just removed (see image below).

The two extra screws that come with this kit are identical to those removed and are provided in case of loss.

**Tip:** Keep your swing arm, platform and this kit in a safe place so that you will have it when you wish to convert the Head back to a full gimbal.



### You are now ready to use the Sidemount Head:

there are important balancing differences between the two types of Heads. It is important to read the included product instructions for the Wimberley Sidemount prior to use.

**Thank you for your interest in Wimberley products.** If you have any questions or comments please feel free to contact us.