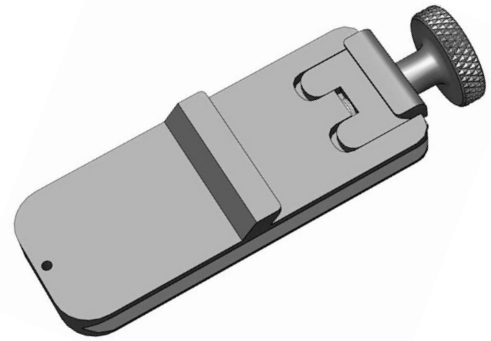


Wimberley


M-8 Perpendicular Plate Flash Bracket Module



Weight: 3.0 oz
Dimensions (Overall L x W x H): 4.54 in x 1.5 in x 1.0 in
Materials: Anodized 6061 Aluminum, stainless steel fasteners

Package Contents:

- M-8 Module: QR Perpendicular Plate (Qty 1)
- Safety Stop Screw: M3 x 6mm (Qty 1)
- Hex Key: 2.5mm (Qty 1)

Made in USA 

Wimberley, Inc.
1750 Broadway St
Charlottesville, VA
22902 USA

Phone: 1-434-529-8385

Toll Free: 1-888-665-2746 (USA & Canada)

www.tripodhead.com info@tripodhead.com

10 Year Warranty – See www.tripodhead.com/warranty.cfm for complete details

Instructions on Reverse >>

Pre-requisites:

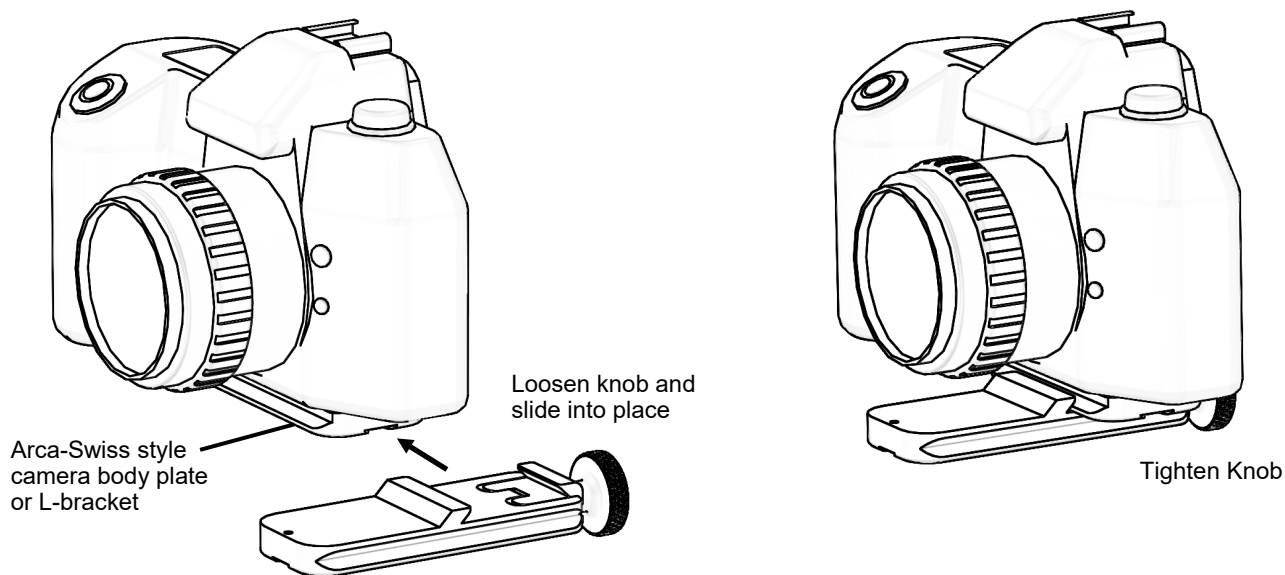
The M-8 requires a camera body plate or L-bracket with Arca-Swiss style dovetails attached to the bottom of your camera.

The M-8 is compatible with most Arca-Swiss style dovetails such as those from Really Right Stuff and Kirk Enterprises.

Note: *The M-8 is not compatible with most fixed-width quick-release clamps or plates made by Manfrotto or Gitzo.*

Connecting the M-8 to Your Camera:

1. Widen the jaws of the M-8 clamp by turning the clamp knob. The camera plate should seat flush against the clamp surface and slide in easily. Note: *If you have safety stop screws installed on your camera body plate, you will need to top load the plate into the M-8 clamp.*
2. Tighten the M-8 clamp knob firmly to secure the camera plate within the clamp jaws.

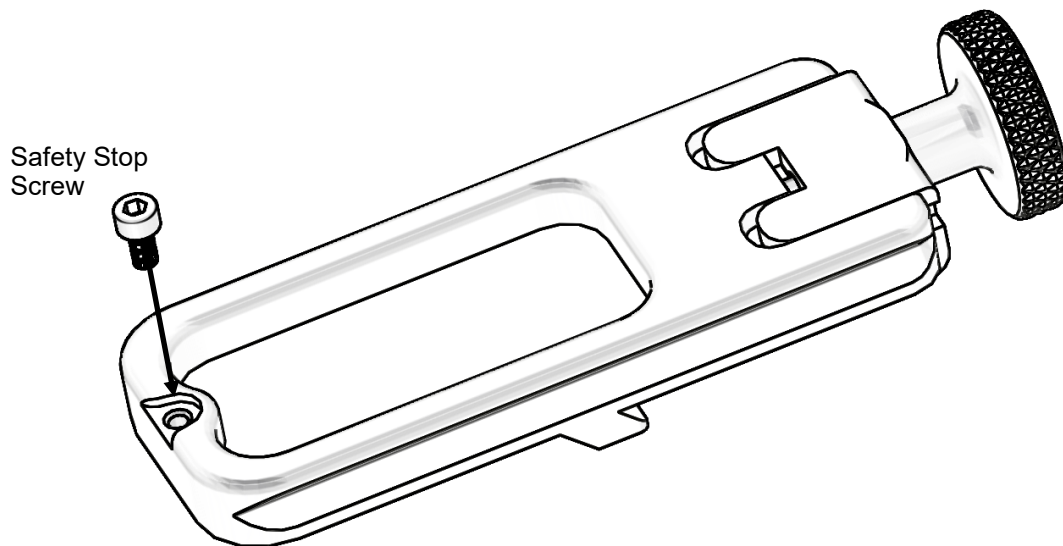


Safety Stop Screw:

The Perpendicular Plate comes with one 3mm screw and a matching hex key. This screw can be inserted into the threaded hole in the bottom of the plate to serve as a stop that prevents the plate from accidentally sliding out of the quick-release clamp if the clamp is accidentally loosened (the knob at the back of the Perpendicular Plate keeps it from sliding out in the other direction).

If you opt to use the stop screw, you must open the jaws of the quick-release clamp wide enough to load the plate from the top (instead of sliding it in from the side). Top loading is a little less convenient, but if you use the safety stop screw you can be certain that your camera will not slide out of the clamp.

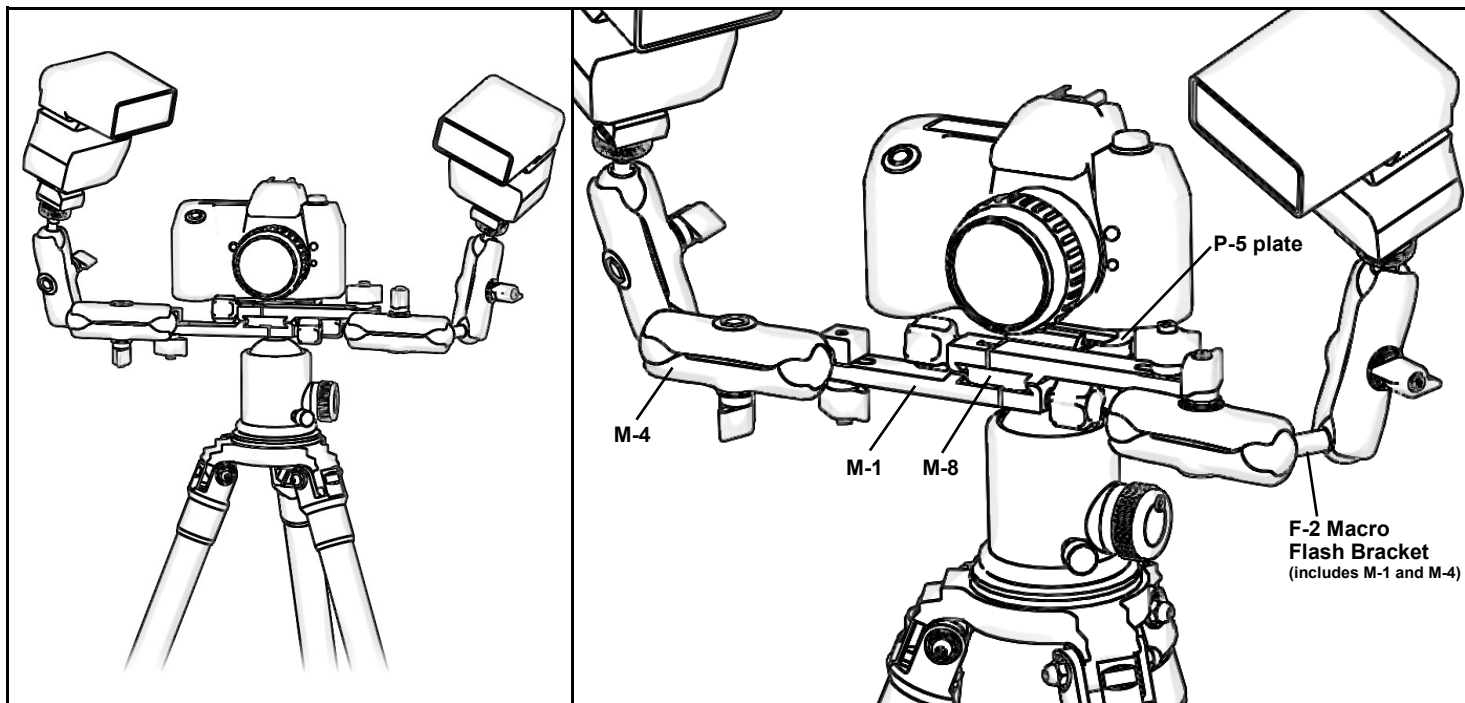
Using the stop screw will make it more difficult to quickly attach a flash bracket to the bottom of the plate. However the stop screw will not interfere with attaching a flash bracket to the top surface of the plate.



Instructions continued >>

Attaching Two Wimberley Macro Flash Brackets to Your Camera Body:

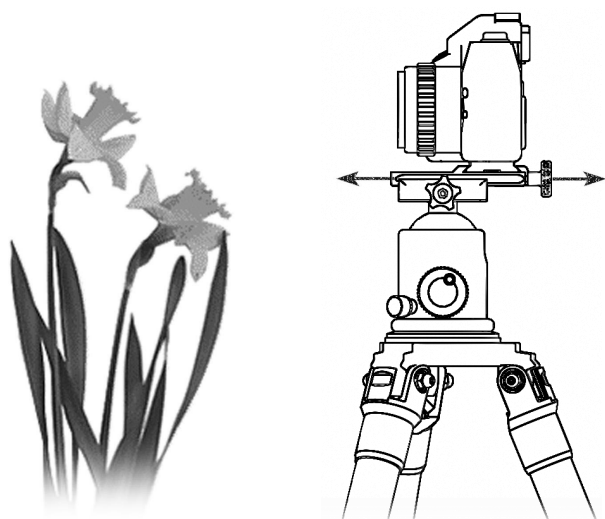
Attach one bracket to the bottom dovetail of the plate, and one bracket to the top dovetail. You may have to experiment with the exact configuration of the macro brackets to insure that you have enough room to easily grab the camera and manipulate the flash brackets.



Use as a Macro Slider:

By sliding the M-8 Perpendicular Plate in the quick-release clamp of your tripod head, you can make small forward and backward adjustments in the position of your camera as shown below. This is useful for macro photography. Note: *The Perpendicular Plate is not designed to give you the range of motion and precise adjustability of a rack-and-pinion focusing rail.*

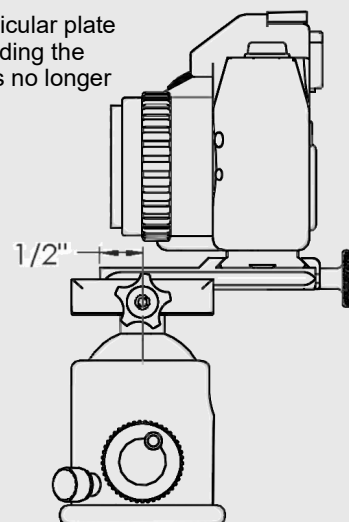
The Perpendicular Plate gives you about 1.7 inches of total forward-backwards adjustment. This amount of adjustment is most useful when you are doing macro photography in the 1:1 scale range. Often you want to get as close to a subject as possible, but after you've positioned your tripod you may find that you are too close and the subject is just out of the focal range of your lens. Use the Perpendicular Plate to slide your camera backward or forward just enough to get your subject in focus.



Caution: When using the perpendicular plate as a macro slider, you may end up sliding the plate so far back in the clamp that it is no longer properly clamped.

In order to insure that the M-8 plate is clamped securely, it is important to make sure that the end of the plate extends at least 1/2 inch beyond the middle of the clamp.

We recommend installing the safety stop screw provided with the M-8 plate to prevent the plate from accidentally sliding out of the clamp when it is loosened (Previous Page)



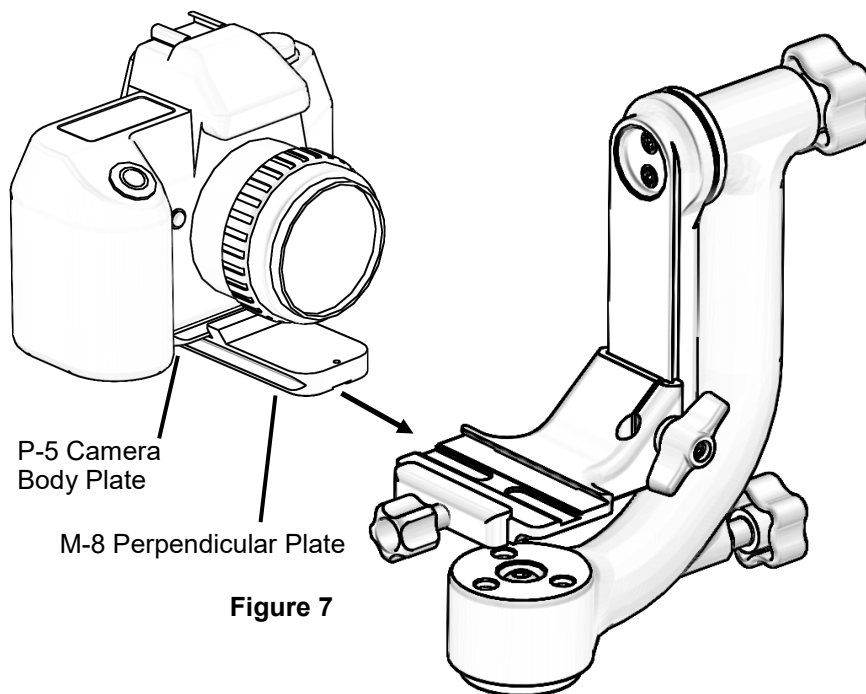
Instructions continued >>

Attaching Your Camera to the Wimberley Head: (or other heads w/ an Arca-Swiss style quick-release clamp)

On many pan-tilt heads, and also on the Wimberley and similar gimbal style heads, the quick-release clamp is oriented parallel to the axis of the lens. Adding the M-8 plate to your camera body allows you to orient the camera properly on these heads (*Fig. 7*).

Note: This configuration has no provision for flipping the camera to the vertical position or for adjusting the horizon when using a non-collared lens. Also a camera with a short lens attached will not balance. This configuration however is an adequate solution for those who wish to shoot macro or wide angle landscape shots without having to carry a secondary tripod head.

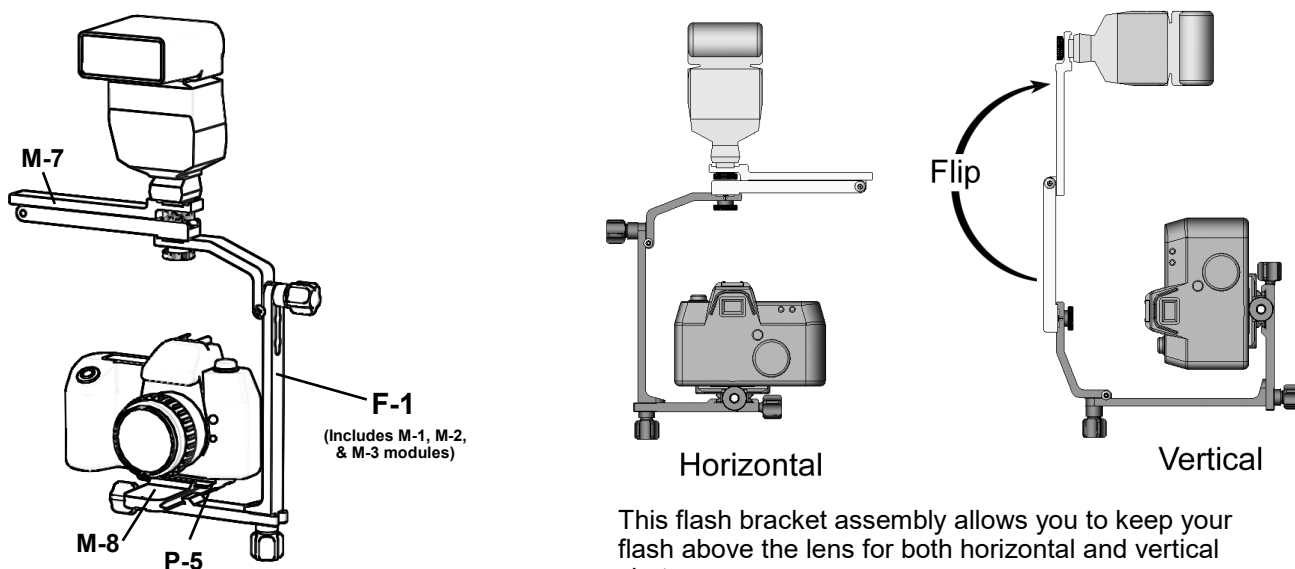
The horizon can be adjusted by adjusting the legs of your tripod or using a leveling base below the Head. If you require the ability to flip your camera to the vertical (portrait) position, we recommend that you purchase a camera L-bracket (L-plate) from either Really Right Stuff, Kirk Enterprises and then mount the Perpendicular Plate to the L-bracket to mount the camera to the Head.



Attaching a Quick-release Telephoto Flash Bracket to Your Camera Body

The Perpendicular Plate has the same double-dovetail cross-section found on Wimberley lens plates. This allows you to attach Wimberley quick-release flash brackets to the top and/or bottom surface of the plate.

Form a “wedding bracket” that allows you to keep the flash above the lens for both horizontal and vertical shots.



Thank you for your interest in Wimberley products. If you have any questions or comments please feel free to contact us.