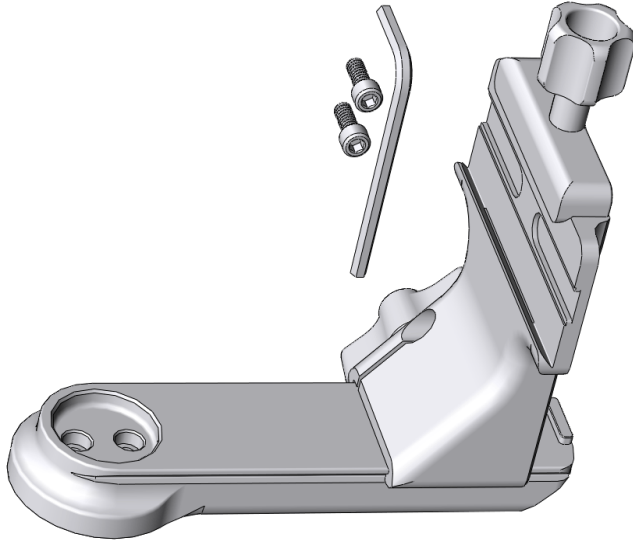


CK-200 Full Gimbal Kit

Wimberley


Full Gimbal
CK-200 Conversion Kit



Weight: 1.22 lbs
Dimensions: (L x W x H): 6.25" x 3.5" x 6.1"

Package Contents:

- **Swing Arm:** Wimberley Head Ver. II (Qty 1)
- **Platform:** Wimberley Head Ver. II (Qty 1)
- **Screws:** 10-24 X 1/2" Socket Cap screws (Qty 2)
- **Hex Key:** 5/32 (Qty 1)
- **Instruction Sheet:** Wimberley Head Ver. II (WH-200)

Made in USA 

Wimberley, Inc. Phone: 1-434-529-8385
1750 Broadway St Toll Free: 1-888-665-2746 (USA & Canada)
Charlottesville, VA www.tripodhead.com info@tripodhead.com
22902 USA
10 Year Warranty – for details see www.tripodhead.com/warranty.cfm

Instructions on reverse >>

Instructions:

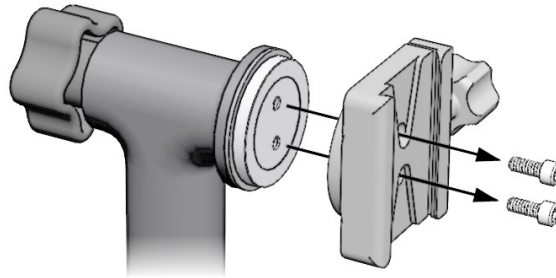
About the CK-200:

This kit allows you to replace the Wimberley quick-release clamp on the Sidemount Wimberley Head (WH-200-S) with the swinging arm and platform of the full gimbal Wimberley Head (WH-200).

The procedure is simple, and the only tool required is a 5/32 hex key which is included. Please read these instructions carefully to make sure that you remove the appropriate parts from your Head and install the new parts properly.

Removing the Sidemount Quick-Release:

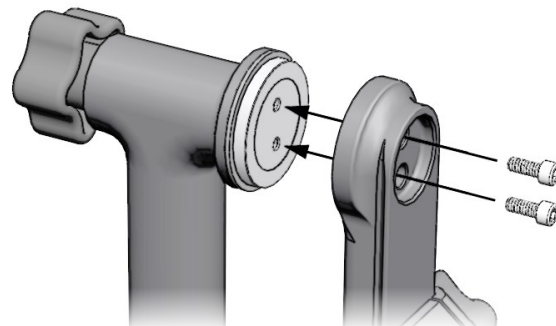
Use the included hex key to remove the two screws that attach the quick-release to the Head (see picture below). Once the screws are removed, the clamp should come off easily.



Tip: Keep the clamp and extra screws handy so that you can convert the Head back to the Sidemount when shooting conditions require a lighter, more compact set up.

Attaching the Swing Arm:

Attach the Swing Arm to your Wimberley Head using the screws that you just removed and the provided hex key.

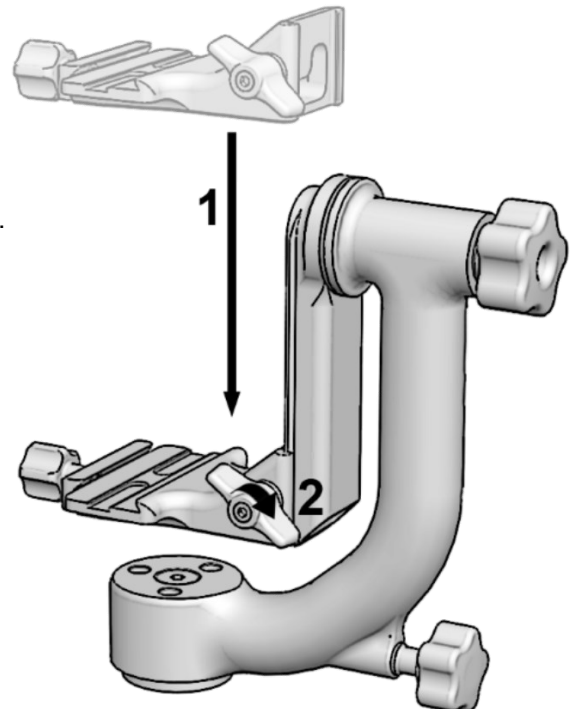


The two extra screws that come with this kit are identical to those removed and are provided in case of loss.

Attaching the Platform:

1. Slide the female dovetail of the platform onto the male dovetail of the arm all the way until it stops. **Note:** Be sure to ensure that the platform jaws are aligned with the swing arm dovetail.
2. Tighten the wing-knob on the platform to secure the connection (there should be no need to over-tighten the wing knob).

The image to the right shows the Arm and Platform properly assembled.



Note: do not fully tighten the Platform wing knob when it is not attached to the Swing Arm.

You are now ready to use the Wimberley Head Version II: there are important balancing differences between the two types of Heads. Please refer to the included product instructions for the Wimberley Head Version II (WH-200) prior to use.

Thank you for your interest in Wimberley products. If you have any questions or comments please feel free to contact us.