

— Instructions (Continued) —

Positioning your Flash:

The Modular Flash Bracket System design allows you to easily disassemble brackets for convenient storage. It also allows you to adjust the size of the bracket to fit different sized lenses. The M-3 Tilt Arm module can be adjusted in the slots of the M-2 Upright to increase or decrease the height of the flash unit (Fig. 6). Adjust the vertical position of the Tilt Arm on the Upright for different telephoto lenses. Flip the Tilt Arm upside down to lower the flash even further (if you do this, you must remove the side thumbscrew that holds the flash in place and reinstall it from the opposite side).

You can also attach the Tilt Arm so that it positions the flash off-center. The Tilt Arm is fitted with two stop screws that keep the flash from tilting forward or backward. If you wish to tilt the flash forward simply unscrew the appropriate screw enough to give you the desired amount of forward rotation. If you are using a collared macro lens, flip the Tilt Arm upside-down (Fig. 6). In this orientation, the stop screws do not engage and the arm is completely free to tilt forward and backward.

Note: The F-1 bracket offers about 3/4" less height than the largest brackets on the market. This is because it does not need the extra height to clear the top of the lens barrel (because of the low-profile Tilt Arm). If you find that the F-1 Flash Bracket is not compatible with any of your lenses in any way, please let us know.

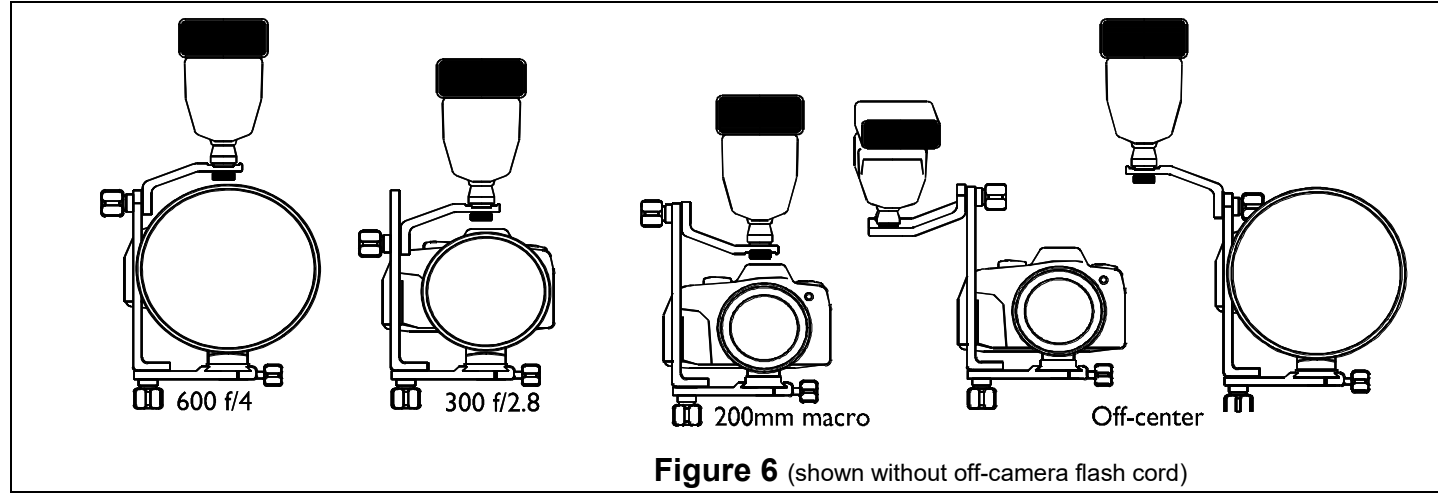
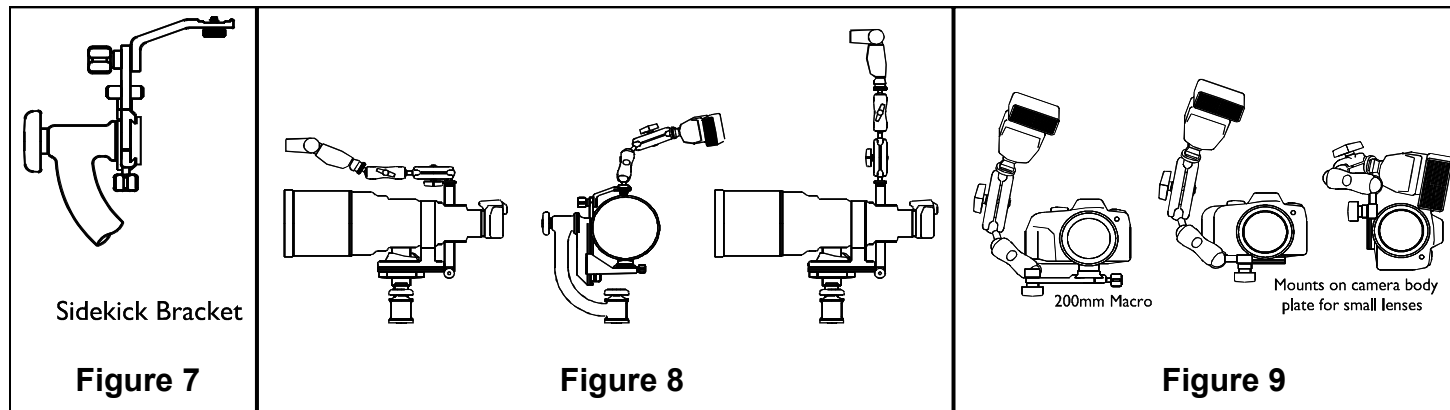


Figure 6 (shown without off-camera flash cord)

Other Uses & Add-ons:

1. If you take out the Upright and attach the Tilt Arm (M-3) directly to the Quick-release Arm (M-1), you have made the **F-6 Sidekick Flash Bracket™**, a compact bracket that works with the Wimberley Sidekick and other side-mount tripod heads (Fig. 7).
2. Adding the Macro Arm (M-4) module by either attaching it to, or substituting it for, the M-3 Tilt Arm allows you to add more flash positioning versatility to your telephoto photography (Fig. 8).
3. If you add the M-4 Macro Arm, and remove both the M-3 and the M-2 Upright, you can make the **F-2 Macro Flash Bracket™** (Fig. 9).
4. **The Wimberley M-6 Extension Post Module™** is a simple post that allows you to extend the height of your flash. The M-6 module attaches to the vertical arm of your flash bracket using the same captive fastener system found on several other modules in the system. The M-6 gives you up to 5" of extension to help you reduce red eye or "steel eye" in your subjects. If you desire more extension, you can stack extension posts to get the height you need, and pairs fit together for compact storage. See our website or product catalog for more information on this useful add-on flash module.



Thank you for your interest in Wimberley products. If you have any questions or comments please feel free to contact us (our contact information is located in the black box on the first page).

— About the F-3 —

The F-3 Telephoto/Macro Kit™ is a combination of our most popular flash components of the Wimberley Modular Flash Bracket System™. The Wimberley Modular Flash Bracket System brings a new level of versatility and portability to the world of flash brackets. Included in this kit is the standard F-1 Telephoto Bracket (assembled) and the M-4 Macro Arm Module.

Wimberley flash brackets attach to most Arca-Swiss style lens plates and allow you to use an off-camera flash unit. **This bracket requires the use of an off-camera shoe cord or wireless adapter recommended by your camera manufacturer (not available through Wimberley).**

It is important to read these instructions and to spend some time getting familiar with the modular parts and how they fit together. Once you become familiar with the modules in the Flash Bracket System, you may well find new and unique configurations and applications for them.

The F-3 Kit allows you to make the following brackets: the F-1 Telephoto Bracket, the F-6 Sidekick Bracket and F-2 Macro Bracket. The Modular Flash Bracket System design allows you to easily change flash height and position, as well as disassemble bracket components for convenient storage.

Dimensions (Overall L x W x H): 5.63 x 1.0 x 9.13 in
 Weight: 9.4 oz
 Materials: Anodized 6061 Aluminum, stainless steel fasteners

— Instructions —

Connecting Flash Bracket Modules:

1. Unscrew the 5-lobe knob on one of the components until it reaches the end of its range, exposing about 3/8" of the threaded stud on which the knob rides. Do not try to back the captive knob all the way off. Slip the forked end of the companion module over the exposed threads (Fig. 1).
2. Seat the companion module by slipping one of the enlarged areas in its slot over the cylindrical nub at the base of the exposed threads.
3. Tighten the 5-lobe knob securely.

(The figure below shows the connection between M-2 and M-3; the same principle applies for other connections.)

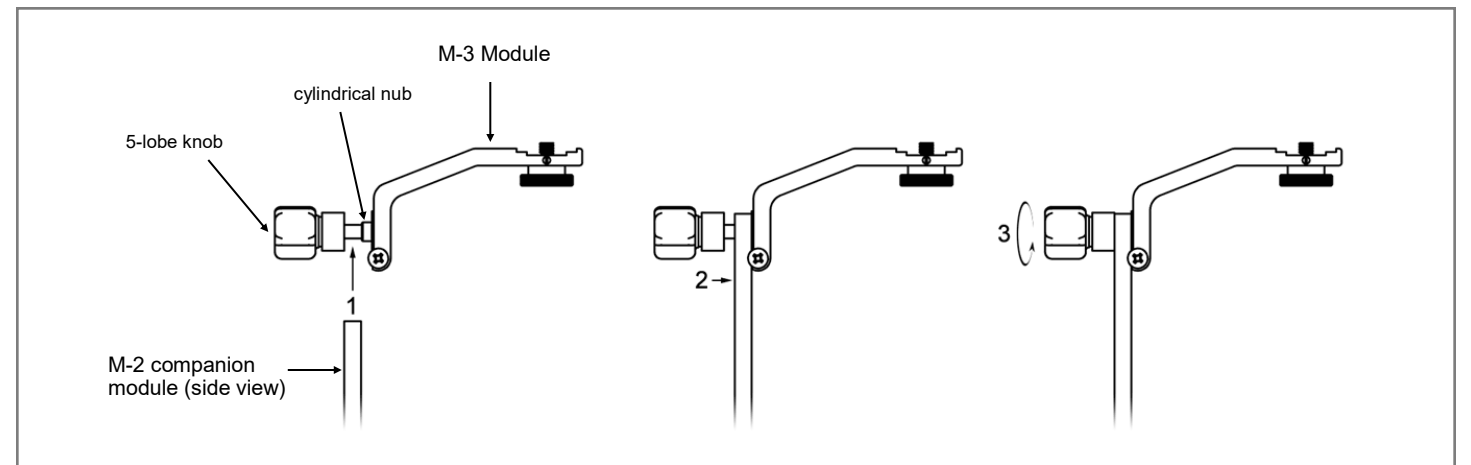


Figure 1

Wimberley

**F-3
 Telephoto & Macro Flash Bracket Kit**



Package Contents:

- **M-1 Module:** Quick-release Arm (Qty 1)
- **M-2 Module:** Upright (Qty 1)
- **M-3 Module:** Tilt Arm (Qty 1)
- **M-4 Module:** Macro Arm (Qty 1)

Wimberley, Inc. Phone: 1-434-529-8385
 1750 Broadway St. Toll Free: 1-888-665-2746 (USA & Canada)
 Charlottesville, VA 22902 USA www.tripodhead.com info@tripodhead.com
 5 Year Warranty – See www.tripodhead.com/warranty.cfm for complete details

Instructions continued >>

Attaching the Bracket to a Lens:

The F-1 bracket attaches to your lens (or camera) plate using a special narrow, low-profile quick-release clamp, which eliminates loose screws and the need for tools. The clamp on the bottom (M-1) module can be attached to the bottom of an Arca-Swiss style plate, or the M-1 can be flipped to attach to the top of the plate if needed (Fig. 2).

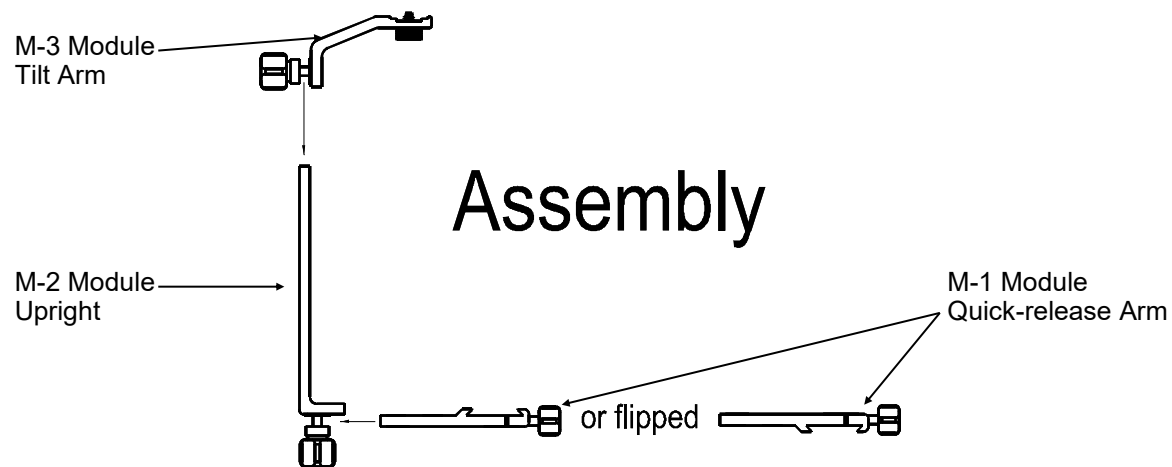


Figure 2

You can attach the F-1 Telephoto bracket to any lens that has an Arca-Swiss style plate mounted to the lens foot. If your current lens plate is not long enough to accept the flash bracket, Wimberley has a line of quick-release plates that have dovetails milled on both the upper and lower halves of the plate for increased positioning versatility (Fig. 3).

If you plan to attach the bracket to a lens plate while the lens is attached to a tripod head quick-release clamp, you will need to make sure you have enough plate length outside the quick-release clamp to accommodate the bracket. The quick-release plates we recommend for specific lenses in our catalog and on our website provide enough length to allow you to attach a flash bracket to the plate without sacrificing balance on a gimbal head, or lens safety when the plate is held within a quick-release clamp.

We also make a small, inexpensive adapter plate, **the AP-11**, which will convert most older, single dovetail plates made by Really Right Stuff and Kirk to the double dovetail configuration for greater flexibility in bracket attachment. Please see our catalog or website for details.

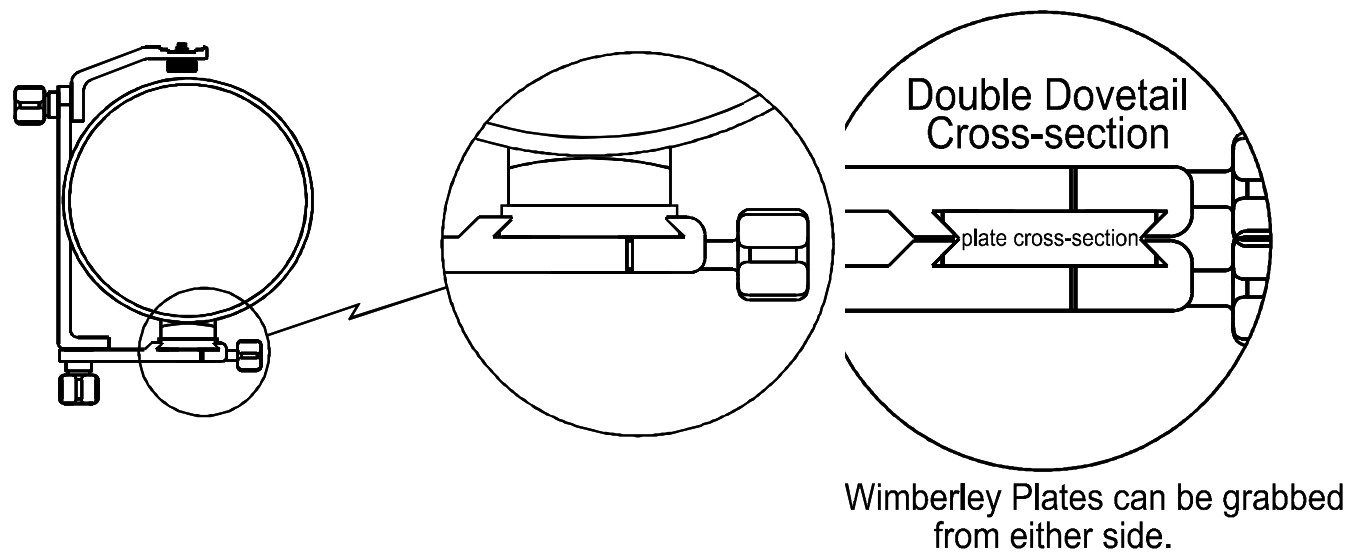


Figure 3

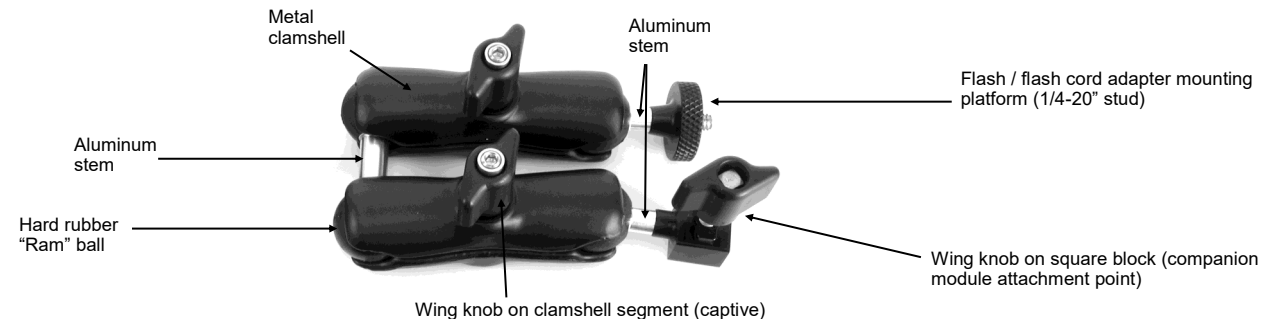
How to work the M-4 Macro Arm: To adjust a ball and clamshell segment, loosen the wing knob of the segment just enough to allow the ball ends contained in the clamshell to move easily. **Do not try to adjust the ball segments before loosening the clamshell. Also, do not try to back the wing knob all the way off the screw—it is a captive knob.** The balls are meant to stay contained within the clamshell at all times.

Attach your flash to the M-4 module platform end by using an off-camera flash cord adapter recommended by your camera manufacturer. Most off-camera flash hot shoe adapters will screw onto the 1/4 inch threaded stud on the platform end of the module.

Position the segments as necessary and tighten the wing knobs to hold the segments in place. The screws inside the wing knobs are stationary and stay stationary as the knob is tightened, therefore a small amount of the screw head will be exposed on the top of the knob when tightened. When the clamshells are tight, the balls should not slip when the flash unit is mounted on the module.

NOTE: Excessive torque is not required to tighten the clamshells and may cause damage to the module.

Loosen the clamshells after using the module for storage. This will allow the rubber on the balls to expand out to its normal shape and extend the life of your module.



You can attach the M-4 macro bracket to the M-1 module of the Wimberley Modular Flash Bracket System to form a versatile macro flash bracket that works for both collared and non-collared lenses as seen below in Fig. 4.

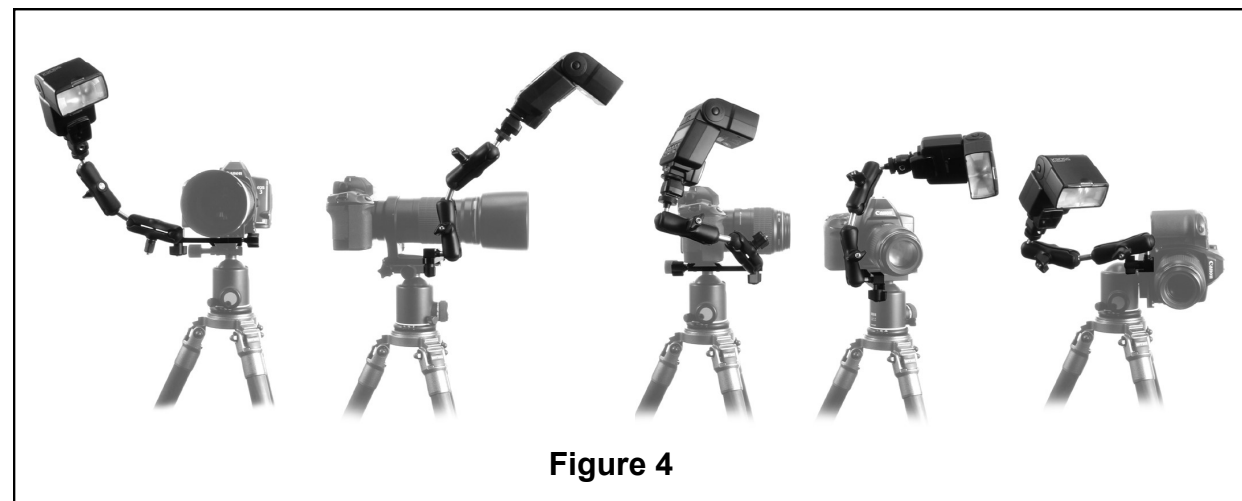


Figure 4

You can also attach the M-1 Module to the M-3 tilt arm and then attach the M-4 to the tilt arm. This creates another macro bracket with a little more reach as seen below in Fig. 5. These brackets can be used with the camera in the vertical or horizontal position and are also good for other applications where you need separation of the flash from the lens.

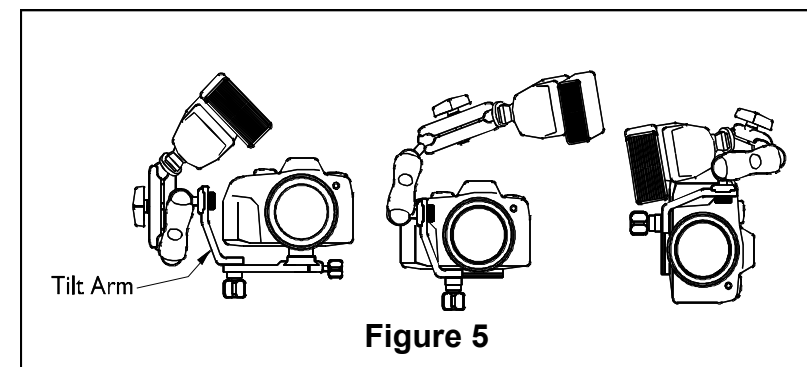


Figure 5