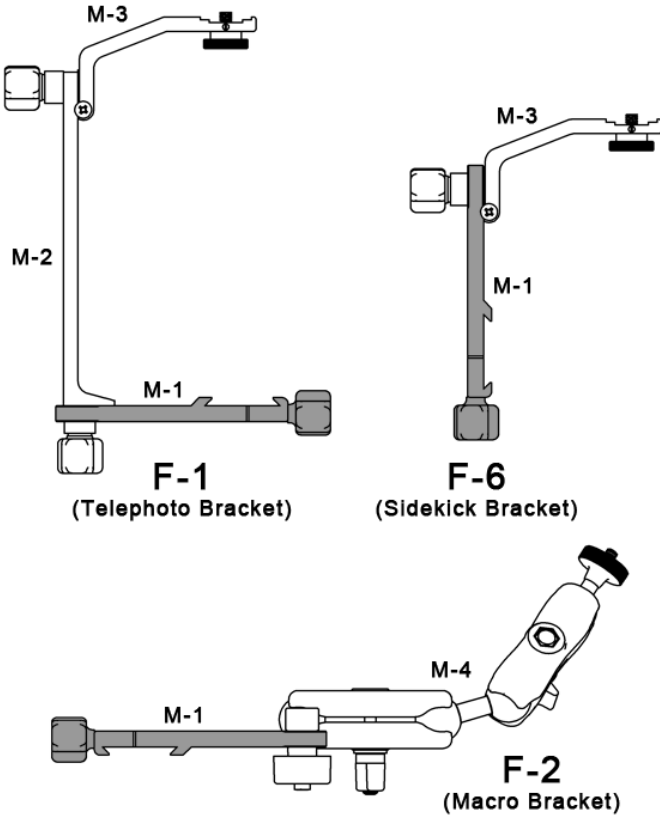


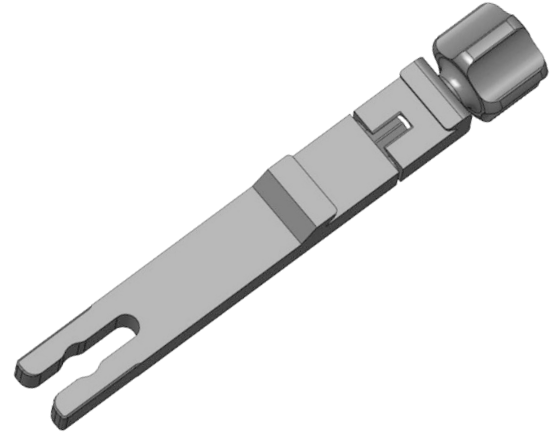
About the M-1

The **M-1 Quick Release** is one of the components of the Wimberley Modular Flash Bracket System. It attaches to most Arca-Swiss style camera body or lens plates. It is included in the following combo units.



Wimberley

M-1 Quick-release Arm Flash Bracket Module



Weight: 2.6 oz
 Dimensions (Overall L x W x H): 5.6 x 1.0 x 1.0 in
 Materials: Anodized 6061 Aluminum, stainless steel fasteners

Package Contents:

- **M-1 Module:** Quick Release Arm (Qty 1)

Made in USA

Wimberley, Inc.

1750 Broadway St
 Charlottesville, VA
 22902 USA

Phone: 1-434-529-8385

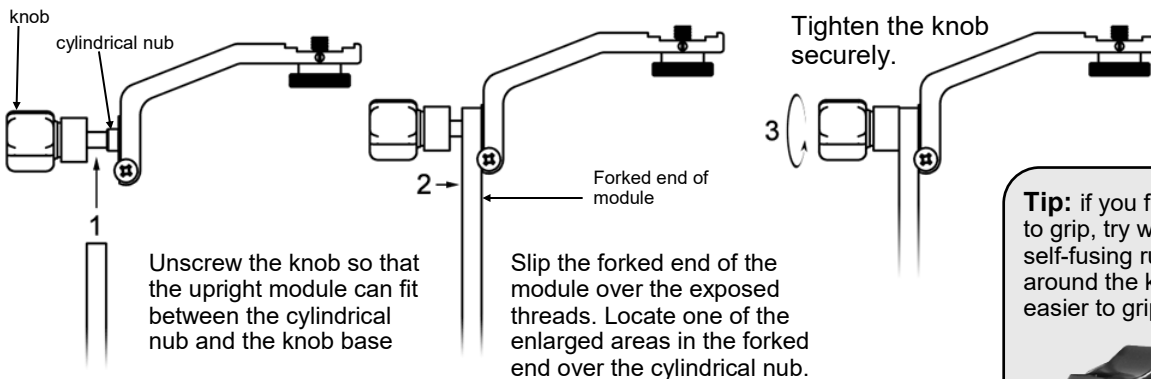
Toll Free: 1-888-665-2746 (USA & Canada)

www.tripodhead.com info@tripodhead.com

10 Year Warranty – See www.tripodhead.com/warranty.cfm for complete details

Connecting Flash Bracket Modules:

(The figure below shows the connection between M-3 and upright module; the same principle applies for other module connections.)



Tip: if you find the metal knobs difficult to grip, try wrapping several layers of self-fusing rubber grip tape (**3M 2155**) around the knob to cushion it and make it easier to grip in the field.



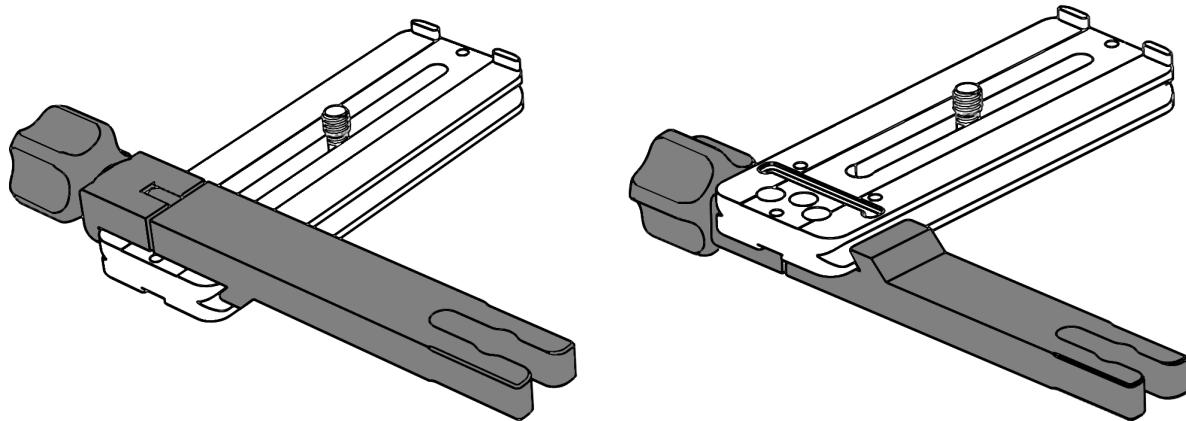
Feel free to contact us if you have any questions.

Instructions continued on back>>

Attaching the M-1 to a Lens or camera plate:

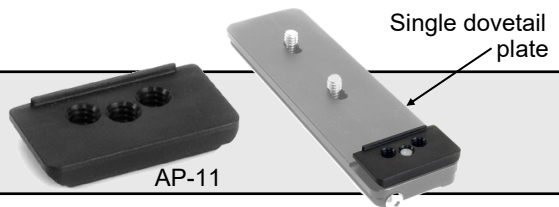
The M-1 attaches to your Arca-Swiss style lens plate using a narrow low-profile quick-release (QR) clamp.

The clamp on the bottom (M-1) module can be attached to the bottom dovetail of an Arca-Swiss style plate or be flipped to attach to the top dovetail of a double dovetail.



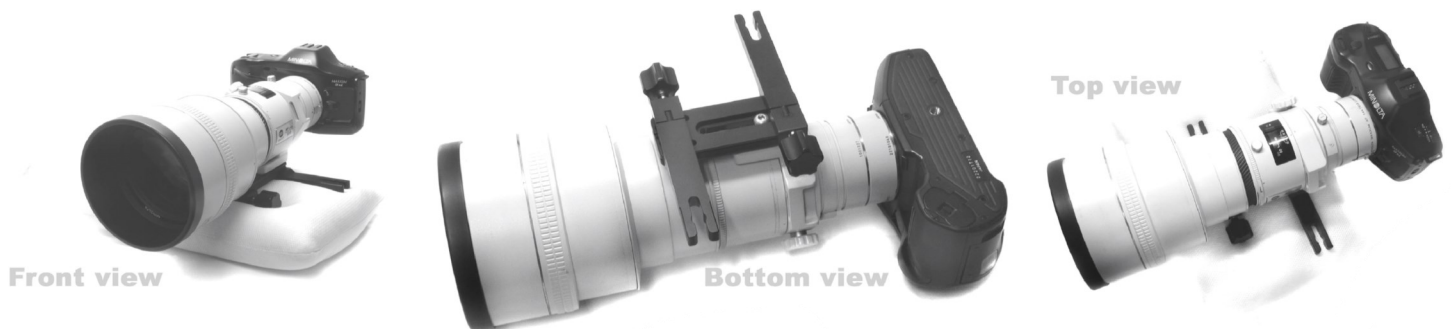
(The M-1 is not compatible with most Manfrotto or Gitzo quick-release plates.)

Attach M-1 Quick Release to single dovetail plates: Use the AP-11 to convert older, single dovetail plates made by Really Right Stuff and Kirk to the double dovetail configuration for greater flexibility in bracket attachment.



Beanbag Combo Using the M-1:

Attach two M-1 quick release arms to the bottom of your lens foot in opposite directions. This forms a snowshoe-like foot for the bottom of your lens which gives you added stability when working from a beanbag.



Thank you for your interest in Wimberley products. If you have any questions or comments please feel free to contact us.